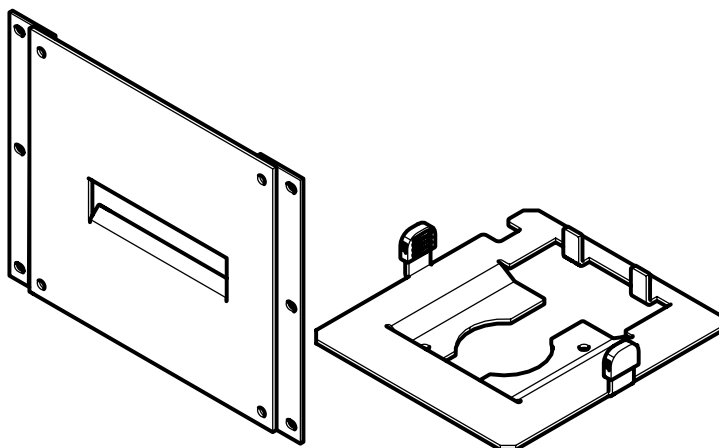


Installation Guide

SPK604

**Kiosk integrated printer cover + printer plate
for Epson TM-M30**





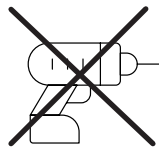
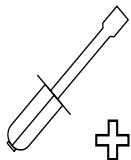
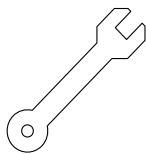
CAUTION

This product is intended for indoor use only.

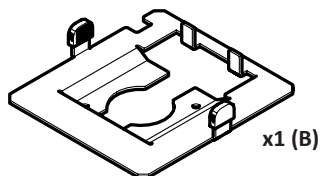
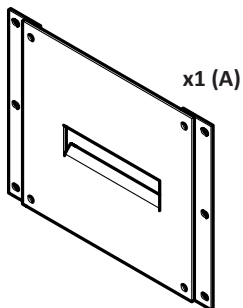
If these installation instructions are not followed correctly, it could lead to product failure and potential personal injury.

Ergonomic Solutions/SpacePole cannot be held responsible for any failure or injury, if the installation instructions are not followed correctly.

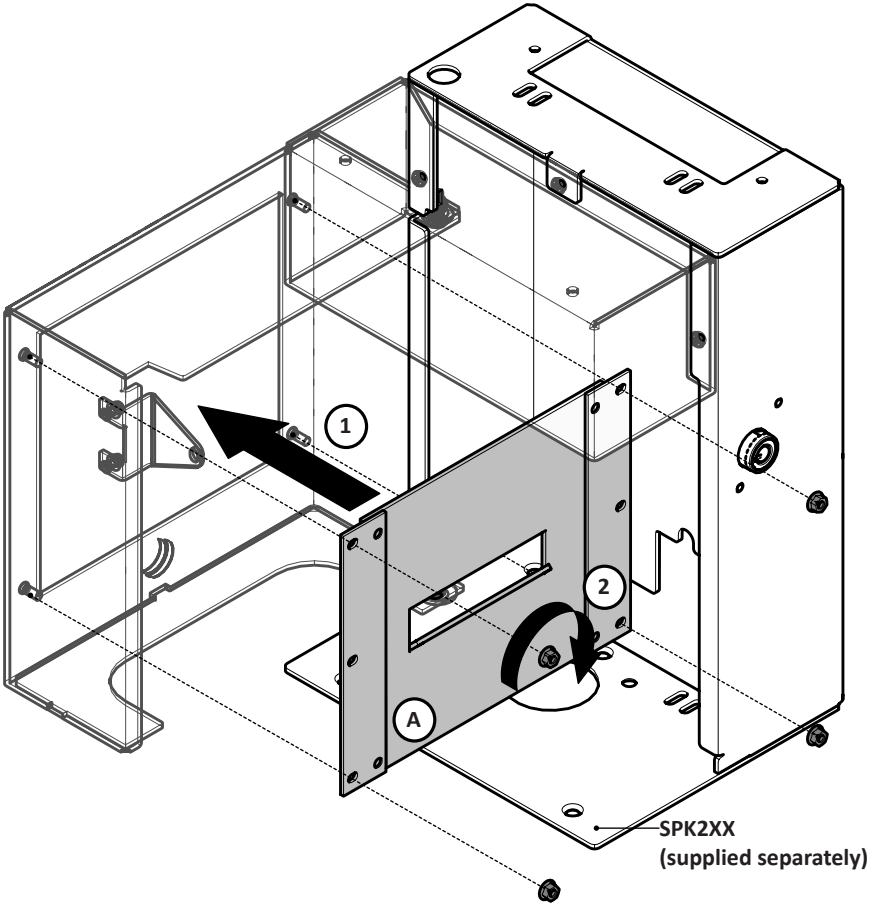
Tool list



Box content



1 Mount printer cover (A) on to the Center module

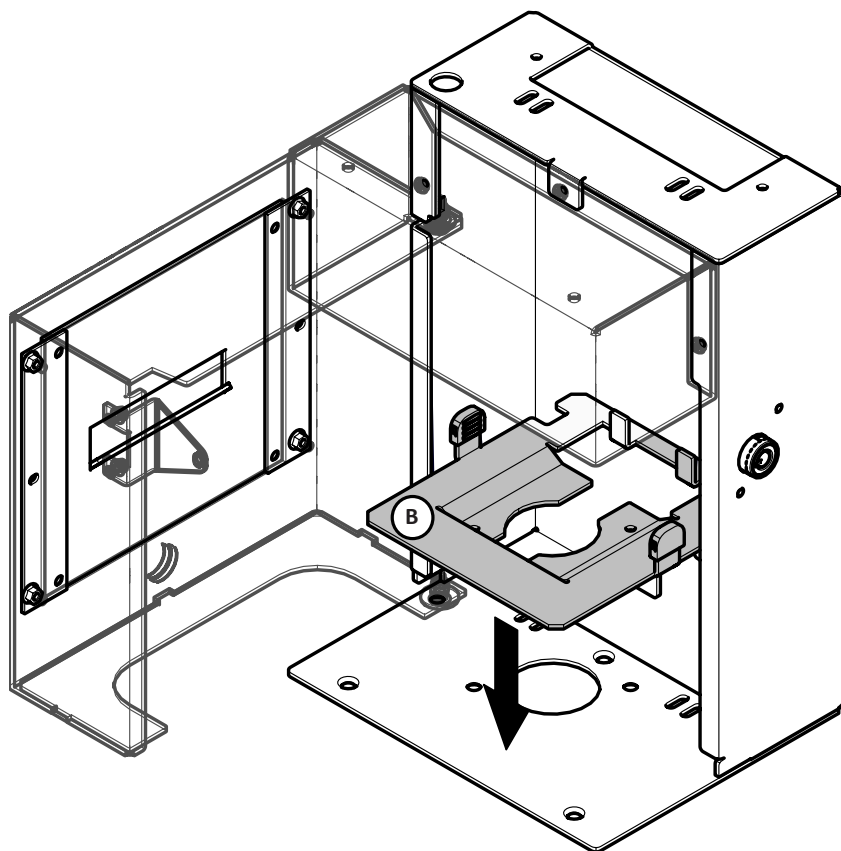


SPK2XX
(supplied separately)

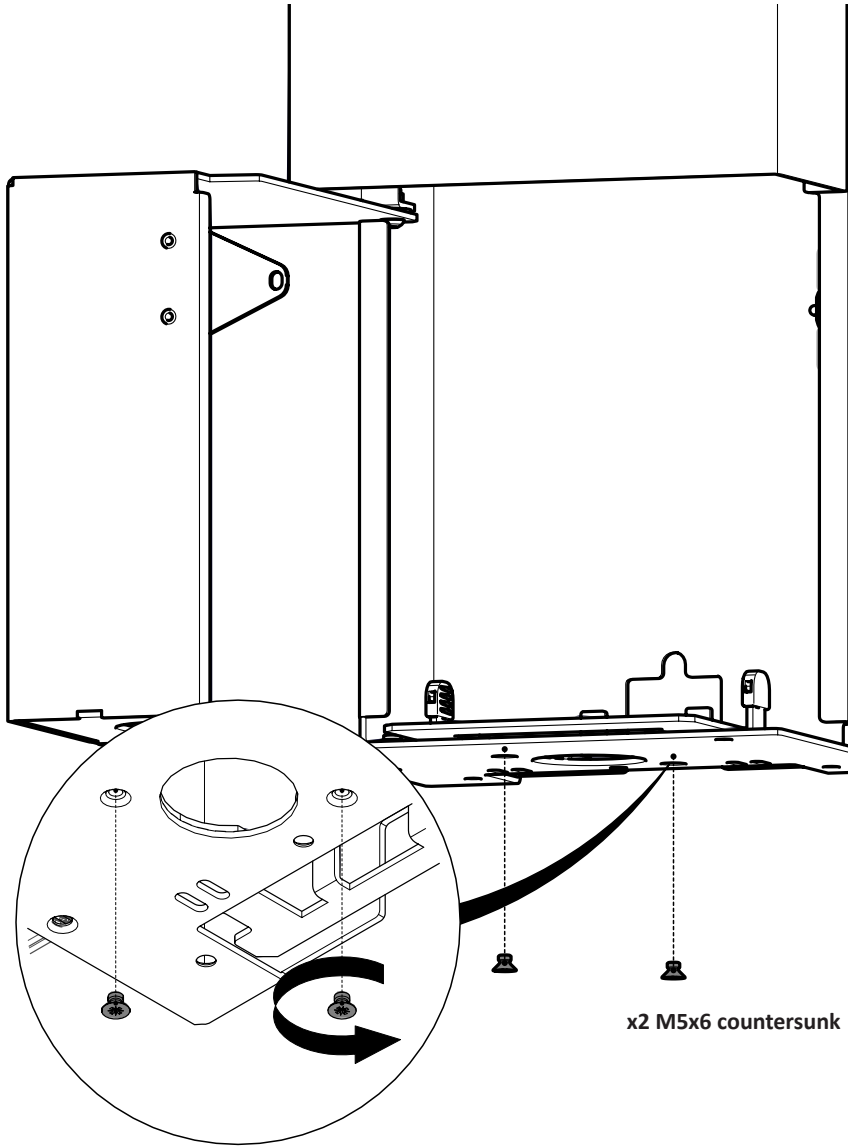
Bolts supplied with SPK2XX.

2

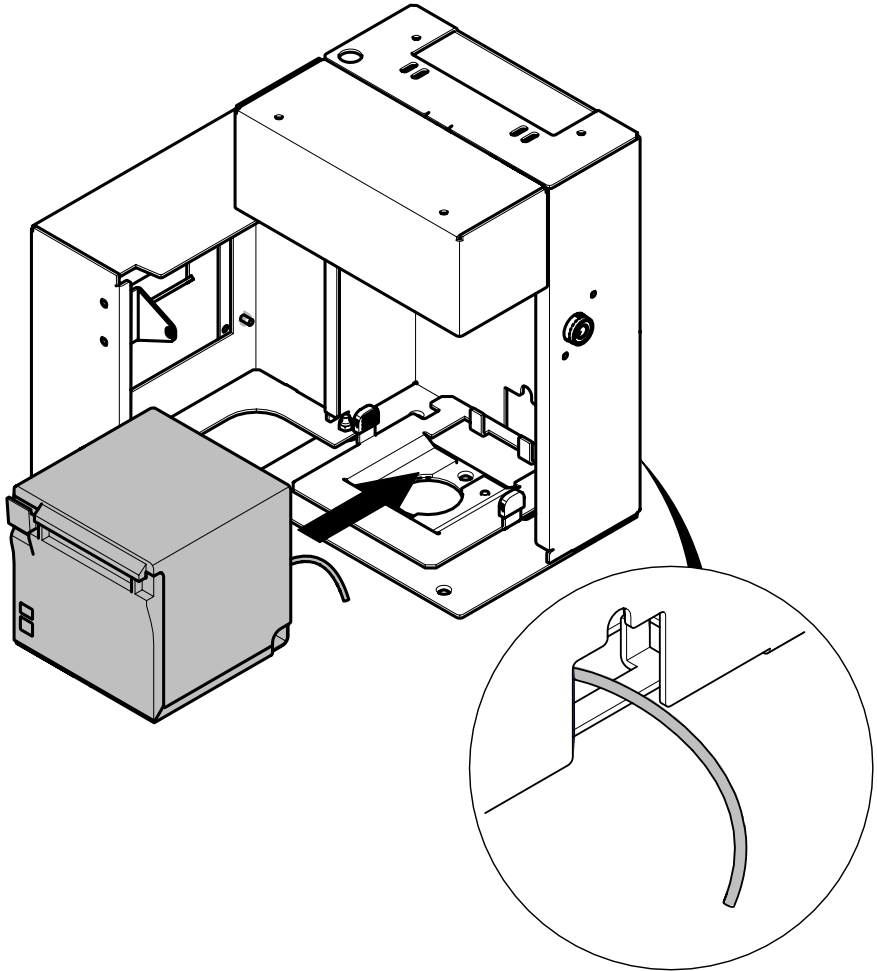
Mount printer plate (B) on to the Center module



3 Secure printer plate (B)



4 Place the printer on the printer plate



Need help? Contact us



ergonomic.solutions/about/contact-us

spacepole.com/about/contact-us